

CONTACT RESISTANCE METER

DAC-MR-100A/50A



Application

- Contact Resistance Measurement for Power Circuit Breaker (GIS, Switch Gear)
- Resistance Measurement for Bus Bar and Joint
- Conductive Resistance Measurement for Cables

Feature

- Light and Durable, only 8 kg
- Measuring Current 100A/50A,
- Resolution: $0.1 \mu \text{ ohm}$
- Kelvin Clips for Quasi Four Terminal Measurements

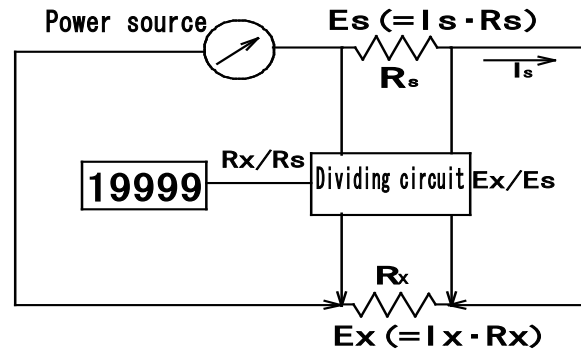
Specification

| | DAC-MR-100A | DAC-MR-50A |
|--------------------------|---|----------------------------------|
| Measuring Range | 0-1.9999 m ohm | 0-1.9999 m ohm 0-19.999 m ohm |
| Measuring Current | DC100A±3% | DC50A±3% |
| Resolution | 0.1 u ohm | |
| Accuracy | ±(0.5%Rdg+3digits) at 1/10 of full scale or more ±(0.5%Rdg+10digits) at 1/10 of full scale or less | |
| Measuring Current Output | 1.000V/100A | 1.000V/50A |
| Power Consumption | 800VA | 410VA |
| AC Mains | AC 100V~240V±10% 50/60Hz | |
| Size | W305xH245xD250 (mm) | W305xH245xD250 (mm) |
| Weight | 8.4 kg | 7.4 kg |
| Accessory | 4 terminals Measuring Cable (5 meters) with Kelvin Clip 1 pc AC Cord (2 meters) 1 pc Grounding Cable (2 meters) 1 pc Operation Manual 1 pc | |

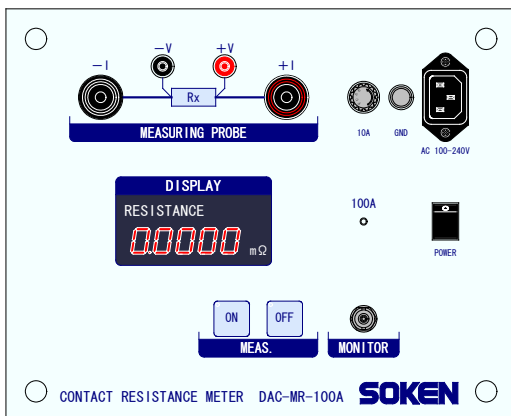
Symptom

A standard resistor, R_s , is introduced as in the circuit diagram. A common current, I_s , flows to both of the resistor, R_s , and a specimen, R_x , under test. Thus, a voltage drop, $I_s R_s = E_s$ for R_s and $I_s R_x = E_x$ for R_x , generates separately. The voltages, E_s and E_x , are divided in the circuit. Then, a ratio for R_x/R_s is given digitally.

$$E_x / E_s = I_s R_x / I_s R_s = R_x / R_s$$



Panel



A double bridge circuit is required for giving such a very low resistance as 0.1 micro ohm. SOKEN Contact Resistance Meter, DAC-MR-50A/100A is applied for measurement with the resolution range at both of laboratories and testing site instantly and easily. Two types, DAC-MR-50A for 50A and DAC-MR-100A for 100A, are available.



Head Office & Plants
ISO9001 : 2008

SOKEN SOKEN ELECTRIC CO., LTD.
<http://www.soken-jp.com>

3-57-124 Kami-Ishihara, Choufu-City, Tokyo 182-0035 JAPAN
TEL +81 42 490 6929 (Export Dept.) FAX +81 42 490 6807
TEL +81 42 490 6925 (Main)